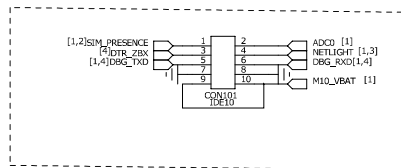
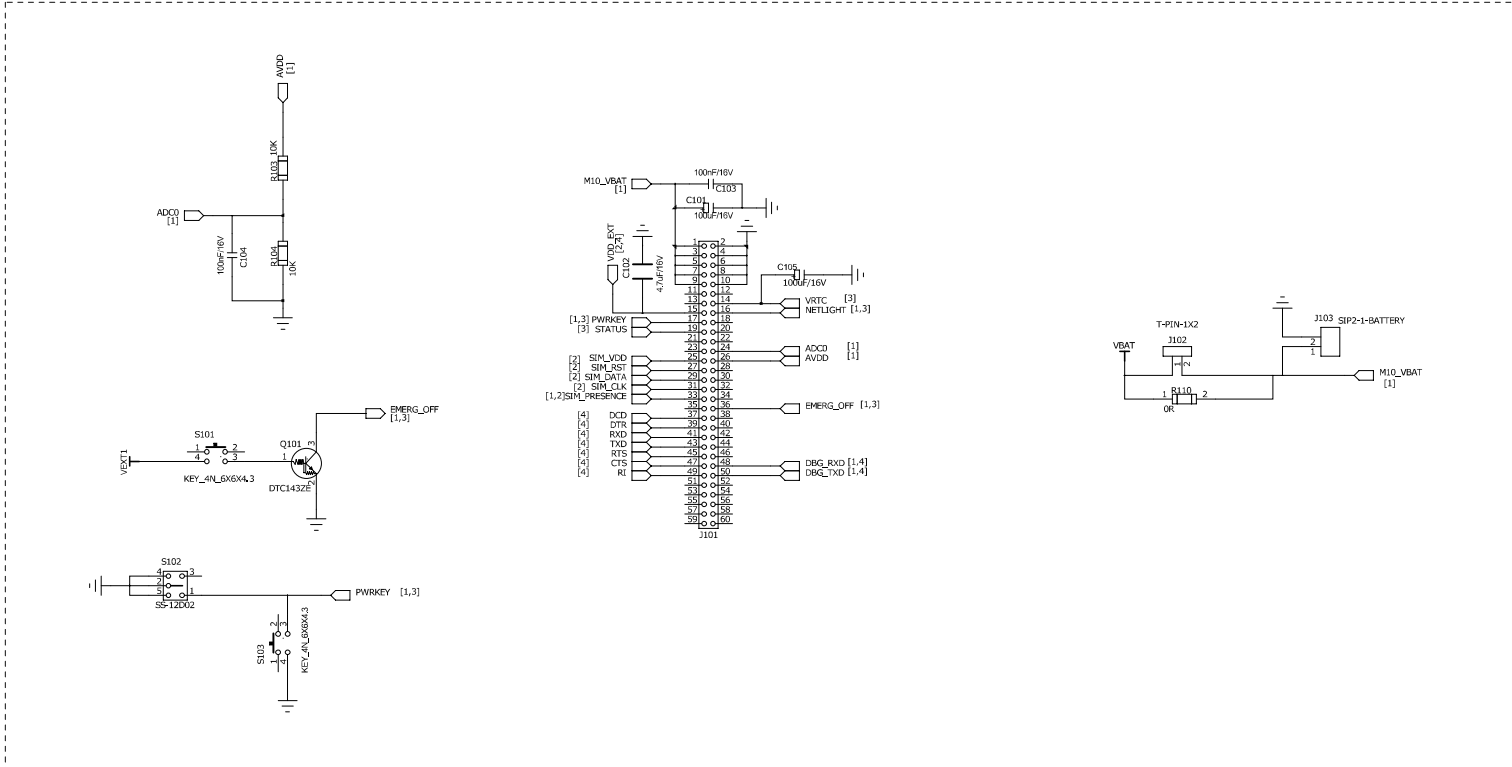


TSET POINTS & CONNECTOR



MODULE INTERFACE



中移物联网

DRAWN: Luoyongbing	DATED: 2015/04/10	TITLE: 01. MODULE INTERFACE	PROJECT: M6311EVB-KIT
CHECKED: <Checked By>	DATED: <Checked Date>	SIZE: A2	REV: 0.1
			SHEET: 1of 6

6

5

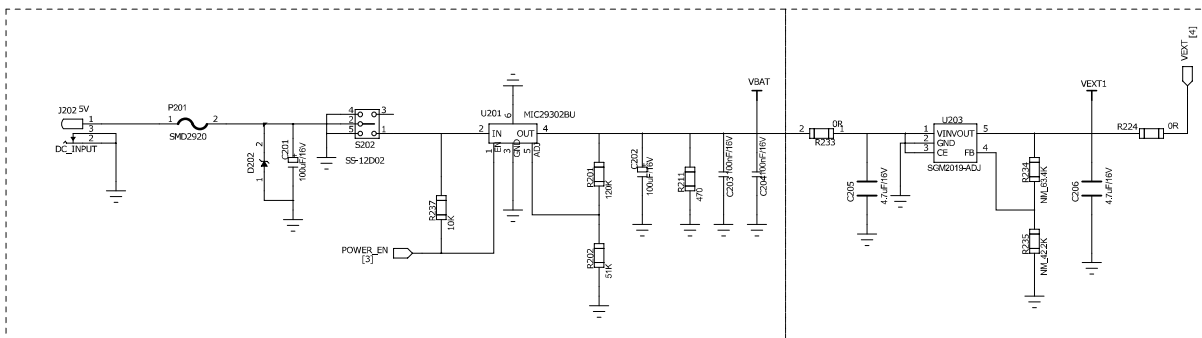
4

3

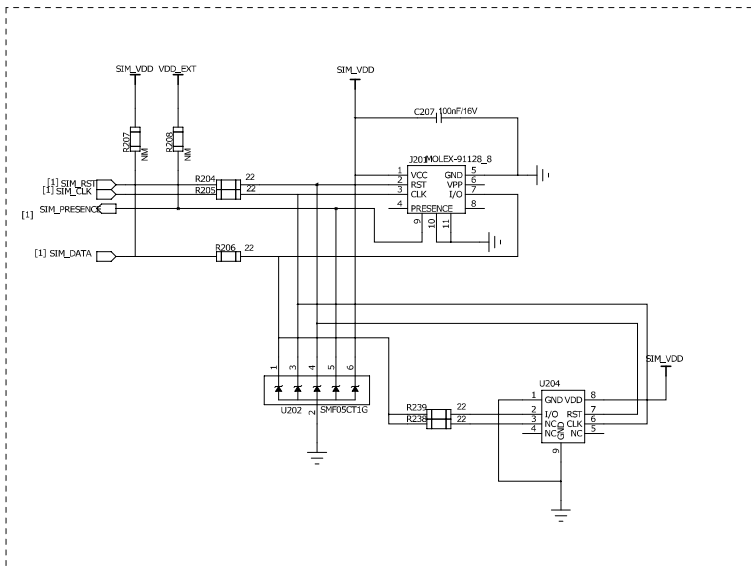
2

1

POWERSUPLY



SIM HOLDER & SIMIC



中移物联网

DRAWN: Luoyongbing	DATED: 2015/04/10	TITLE: 02. POWERSUPLY_SIM	PROJECT: M6311EVB-KIT
CHECKED: <Checked By>	DATED: <Checked Date>	SIZE: A2	REV: 0.1
			SHEET: 2 of 6

6

5

4

3

2

1

6

5

4

3

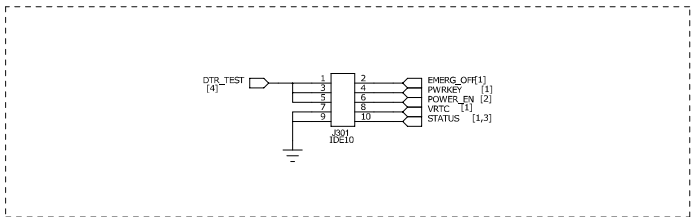
2

1

D

D

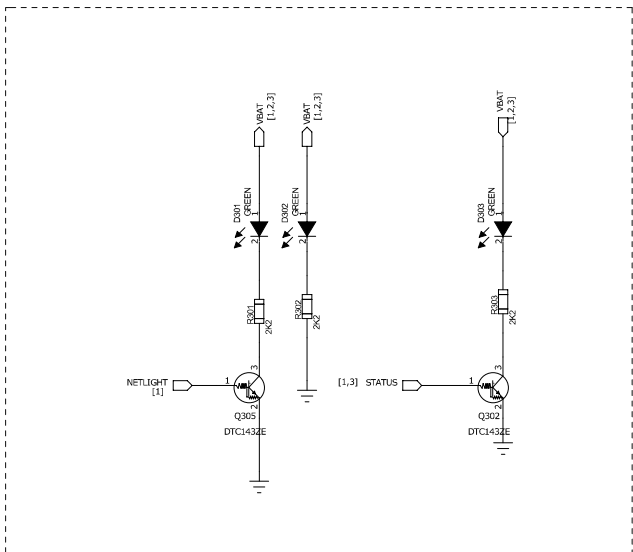
DTR_CONTROL



C

C

SIGNAL_INDICATOR



B

B

A

A

6

5

4

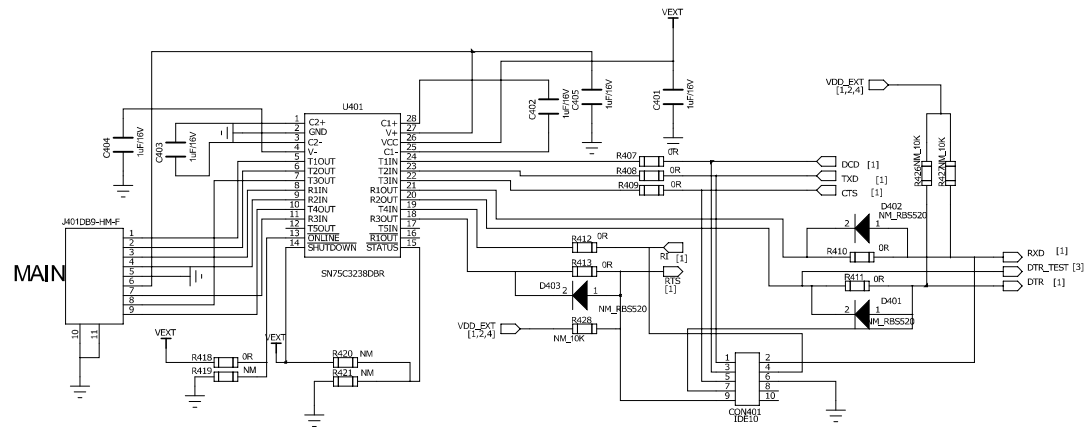
3

2

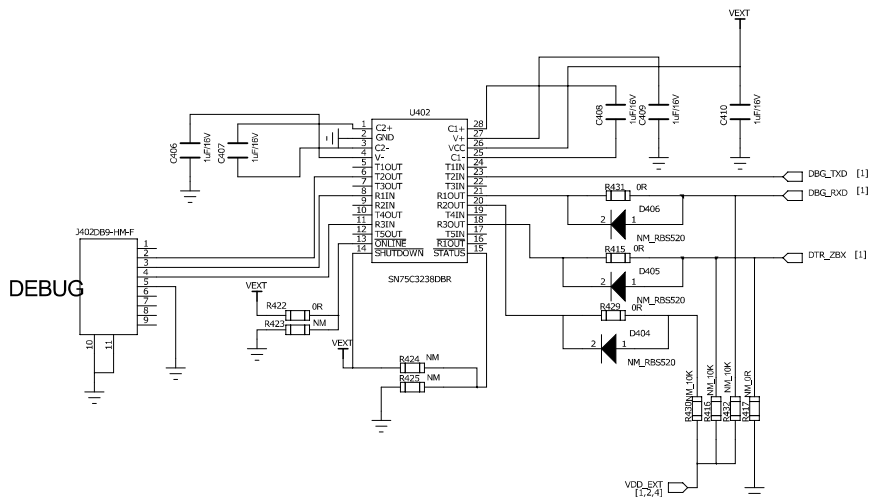
1

中移物联网			
DRAWN: Luoyongbing	DATED: 2015/04/10	TITLE: 03. LED	PROJECT: M6311EVB-KIT
CHECKED: <Checked By>	DATED: <Checked Date>	SIZE: A2	REV: 0.1
			SHEET: 3 of 6

UART_INTERFACE



	R418	R419	R420	R341
	R422	R423	R424	R425
3238	M	NM	NM	NM
3237	NM	M	M (1MBPS) NM (250kb)	NM (1MBPS) M (250kb)



中移物联网				
DRAWN: Luoyongbing	DATED: 2015/04/10	TITLE: 04. UART INTERFACE	PORJECT: M6311EVB-KIT	
CHECKED: <Checked By>	DATED: <Checked Date>	SIZE: A2	REV: 0.1	SHEET: 4of 6

6

5

4

3

2

1

D

D

C

C

B

B

A

A

6

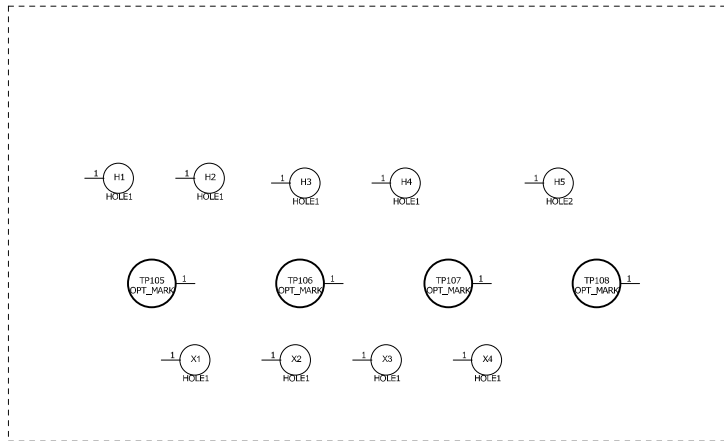
5

4

3

2

1



中移物联网				
DRAWN: Luoyongbing	DATED: 2015/04/10	TITLE: 05. MODIFY_HISTORY	POR:REV: M6311EVB-KIT	
CHECKED: <Checked By>	DATED: <Checked Date>	SIZE: A2	REV: 0.1	SHEET: 5of 6

6

5

4

3

2

1

D

D

C

C

B

B

A

A

6

5

4

3

2

1

中移物联网				
DRAWN: Luoyongbing	DATED: 2015/04/10	TITLE: <Title>	PROJECT M6311EVB-KIT	
CHECKED: <Checked By>	DATED: <Checked Date>	SIZE: A2	REV: 0.1	SHEET: 6 of 6